

SERIES No: 1500-1

DESCRIPTION G-Guard 1500kg

ORIGINAL DRAWING
SIZE: 908x645

THIRD ANGLE
PROJECTION

No	DESCRIPTION	PART No	QTY
1	FRONT CASE	907-40	1
2	REAR CASE	907-41	1
3	MAIN SHAFT END PLATE	507-34	1
4	SIGHT GLASS (FALL INDICATOR)		
5	ROPE ASSEMBLY - ROPE		1
6	ROPE ASSEMBLY - ROPE EXIT PLATE		1
7	ROPE ASSEMBLY - RUBBER STOP		1
8	ROPE ASSEMBLY - SHOCK ABSORBER SPRING		1
9	LEFT LABEL	907-80	1
10	RIGHT LABEL	907-81	1
11	IDENTITY LABEL	507-82	1
12	SHACKLE	907-21	1
13	SHACKLE BOLT	907-22	1
14	SHACKLE NUT	907-23	1
15	LOAD BRACKET	907-19	2
16	WARNING LABEL	800-40	1

STANDARD UNITS

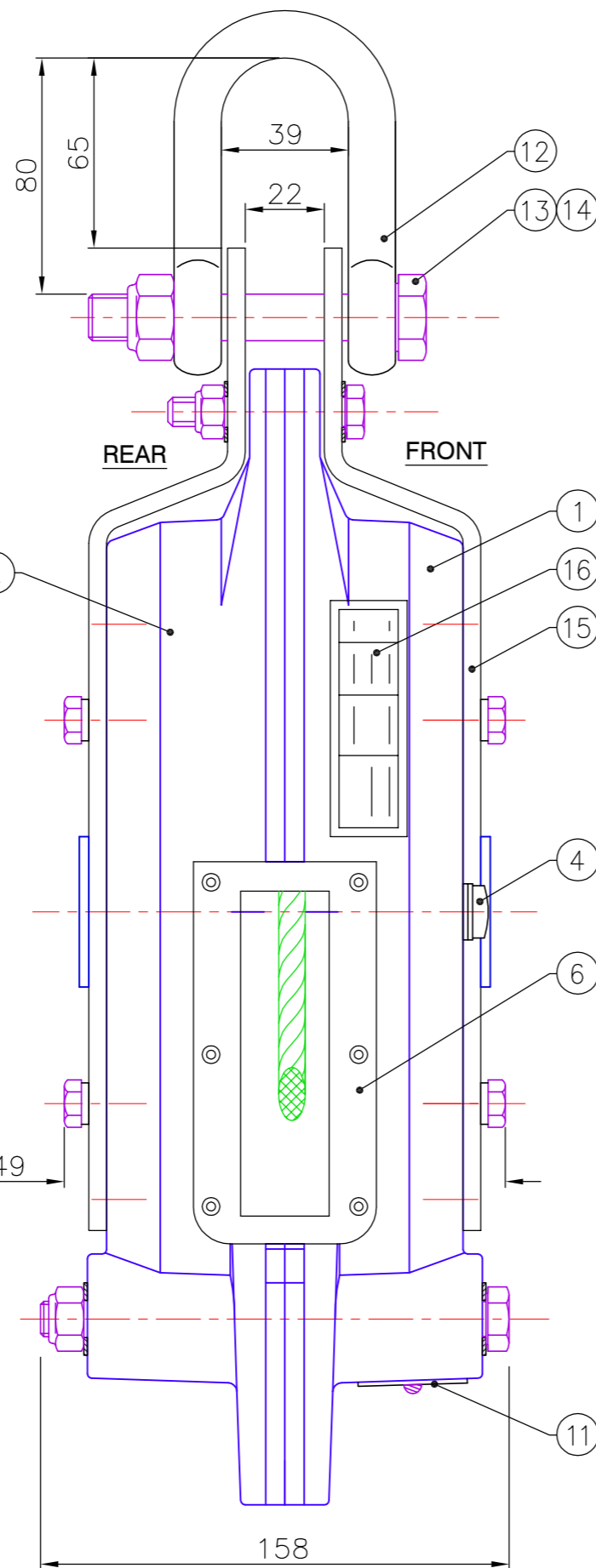
1500-1-7G - 7m ROPE LENGTH
1500-1-9G - 9m ROPE LENGTH
ROPE: GALVANIZED STEEL 8mm DIAMETER.

No 4: SIGHT GLASS

FALL INDICATOR LENS SHOWS RED IF A FALL HAS OCCURRED. IF RED SHOWS, REMOVE FROM USE AND RETURN ARRESTER FOR SERVICING.

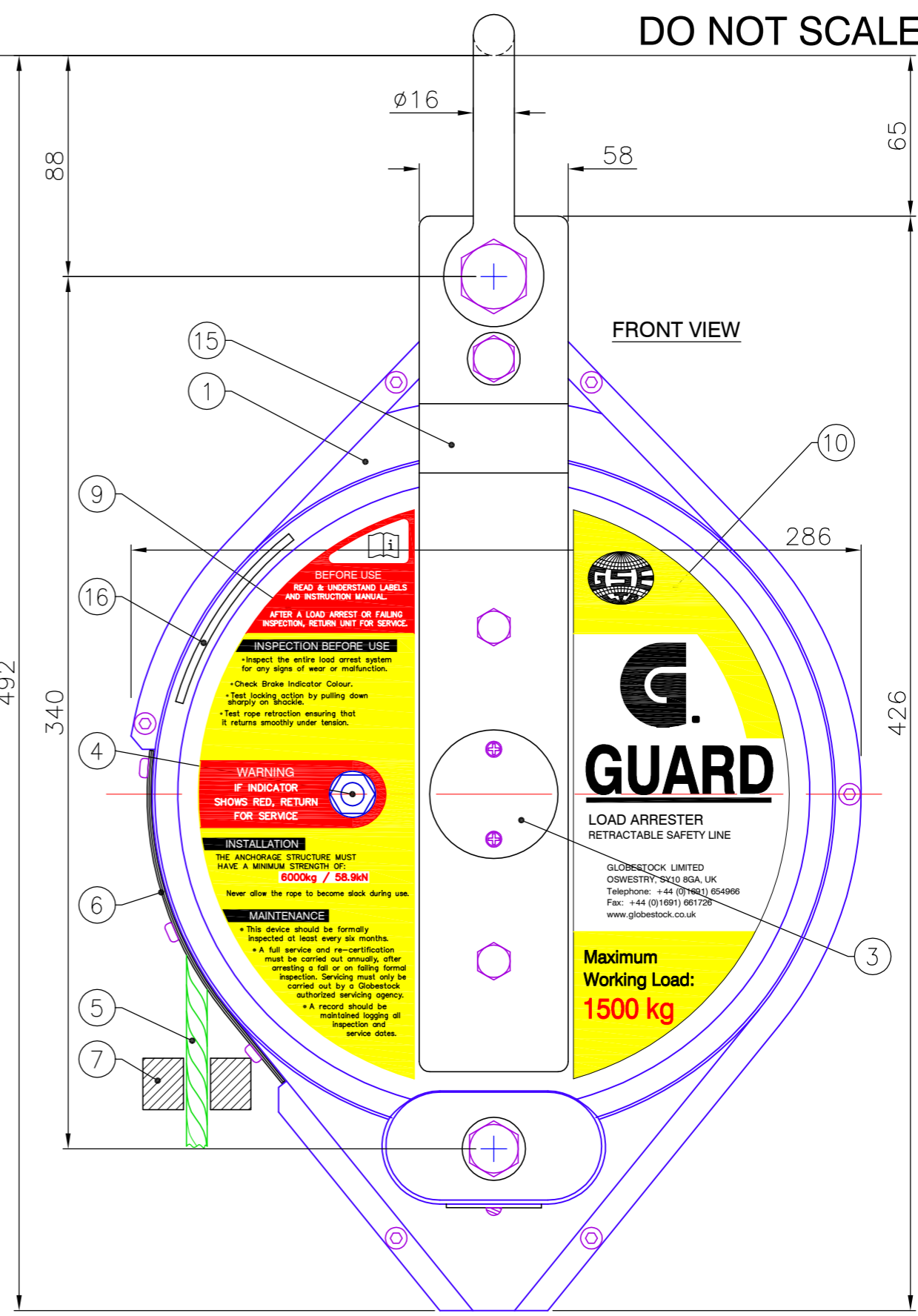
Top Shackle Bolt Diameter: 16mm

Bottom Shackle Bolt Diameter: 16mm



670 APPROX DISTANCE BETWEEN ANCHORAGES WHEN SUSPENDED.

(TO TOP OF SHACKLE PIN)



DO NOT SCALE

THIS DRAWING IS ISSUED SUBJECT TO THE CONDITION THAT NO REPRODUCTION THEREOF SHALL BE MADE WITHOUT PERMISSION OF GLOBESTOCK (ENGINEERING) LTD. AND NEITHER THE DRAWING NOR REPRODUCTION THEREOF SHALL BE TRANSFERRED TO A THIRD PARTY WITHOUT SUCH WRITTEN PERMISSION.

GLOBESTOCK (ENGINEERING) LTD

DRAWN D.J.W.	MATERIAL /
SCALE 1:1	PROTECTIVE TREATMENT /

ALL DIMENSIONS ARE IN MILLIMETRES AND APPROXIMATE

GENERAL TOLERANCE: ± / .
ANGLES : ± / .
UNLESS OTHERWISE STATED.

ISSUE No	DRAWN	CHECKED	DATE
001	DJW	VL	18.6.15