

SERIES No: 500-3

DESCRIPTION G-Guard 500kg with up to 15m rope

ORIGINAL DRAWING  
SIZE: 908x645

THIRD ANGLE  
PROJECTION

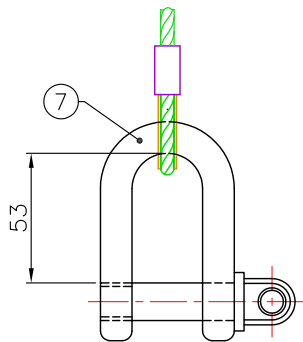


No	DESCRIPTION	PART No	QTY
1	FRONT CASE	807-36	1
2	REAR CASE	807-26	1
3	MAIN SHAFT	807-34	1
4	SIGHT GLASS (FALL INDICATOR)		
5	ROPE ASSEMBLY - ROPE		16.2m
6	ROPE ASSEMBLY - ROPE GUIDE		1
7	ROPE ASSEMBLY - SHACKLE WITH PIN		1
8	ROPE ASSEMBLY - SHOCK ABSORBER SPRING		1
9	FRONT LABEL	807-37	1
10	IDENTITY LABEL	507-82	1
11	SHACKLE	507-38	1
12	SHACKLE BOLT	507-39	1
13	SHACKLE NUT	907-26	1
14	LOAD BRACKET	807-16A	2
15	WARNING LABEL	800-40	1

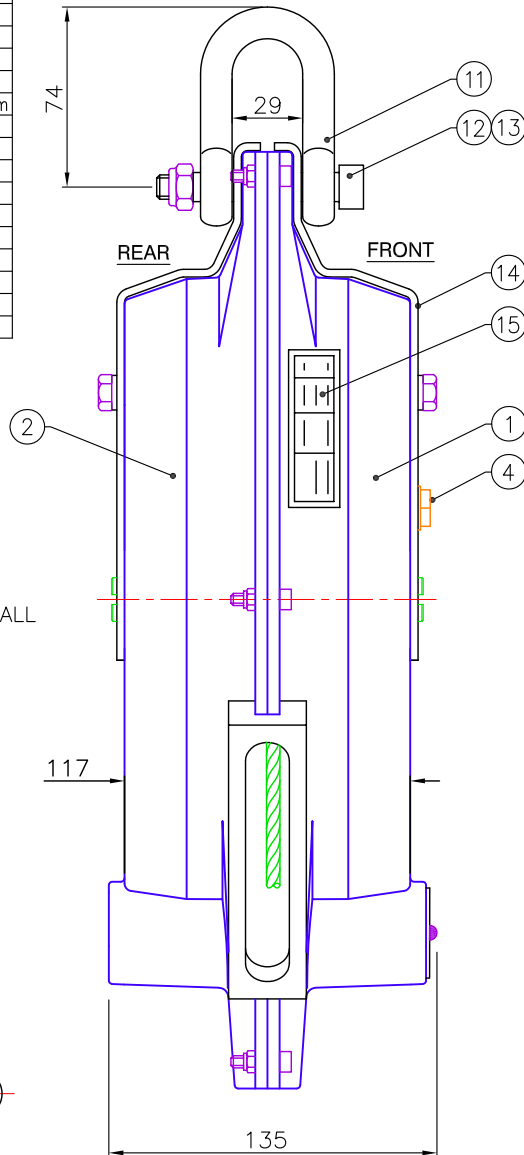
STANDARD UNITS

500-3-7G - 7m ROPE LENGTH  
 500-3-10G - 10m ROPE LENGTH  
 500-3-15G - 15m ROPE LENGTH  
 ROPE: GALVANIZED STEEL 6mm DIAMETER.

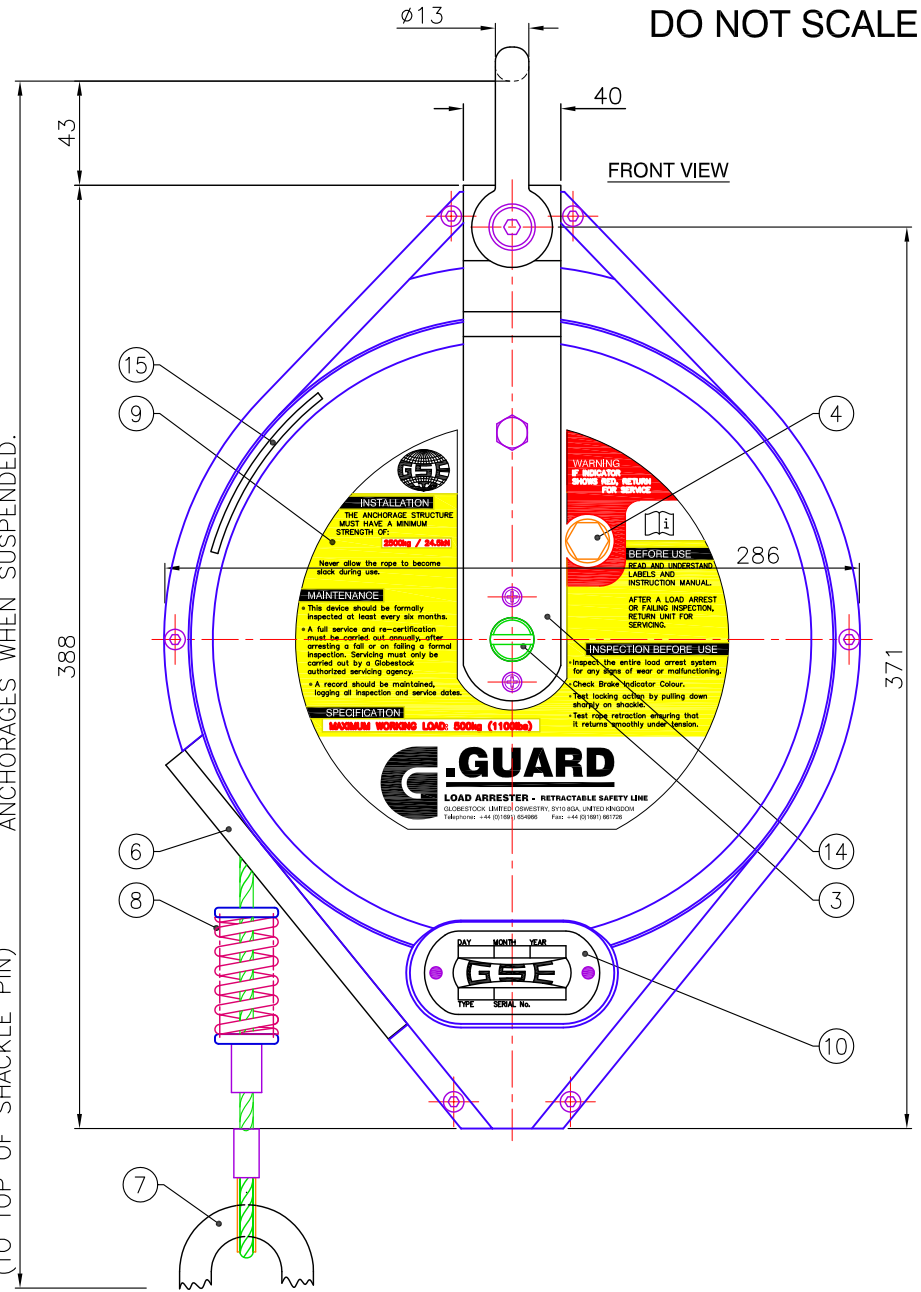
No 4: SIGHT GLASS  
 FALL INDICATOR LENS SHOWS RED IF A FALL HAS OCCURRED.  
 IF RED SHOWS, REMOVE FROM USE AND RETURN ARRESTER FOR SERVICING.



Top Shackle Bolt Diameter: 12mm  
 Bottom Shackle Pin Diameter: 16mm



620 APPROX DISTANCE BETWEEN ANCHORAGES WHEN SUSPENDED.  
 (TO TOP OF SHACKLE PIN)



THIS DRAWING IS ISSUED SUBJECT TO THE CONDITION THAT NO REPRODUCTION THEREOF SHALL BE MADE WITHOUT PERMISSION OF GLOBESTOCK (ENGINEERING) LTD. AND NEITHER THE DRAWING NOR REPRODUCTION THEREOF SHALL BE TRANSFERRED TO A THIRD PARTY WITHOUT SUCH WRITTEN PERMISSION.

**GLOBESTOCK (ENGINEERING) LTD**

DRAWN  
D.J.W.  
SCALE  
1:1

MATERIAL  
/  
PROTECTIVE TREATMENT  
/

ALL DIMENSIONS ARE IN MILLIMETRES AND APPROXIMATE

GENERAL TOLERANCE: ± / /  
 ANGLES : ± / /  
 UNLESS OTHERWISE STATED.

ISSUE No	AMENDMENTS
001	
DRAWN	
CHECKED	
DATE	